



UNIVERSITY OF CAMBRIDGE INTERNATIONAL EXAMINATIONS
International General Certificate of Secondary Education

CANDIDATE NAME

CENTRE NUMBER

CANDIDATE NUMBER

* 7 7 3 4 1 1 3 0 2 2 *

DESIGN AND TECHNOLOGY **0445/02**
Paper 2 Graphic Products **May/June 2008**
1 hour

Candidates answer on the two inserted Answer Sheets.
Additional Materials: Standard drawing equipment
To be taken together with Paper 1 in one session of 2 hours and 15 minutes.

READ THESE INSTRUCTIONS FIRST

Write your Centre number, candidate number and name in the spaces at the top of this page and on the two Answer Sheets.
Do not use staples, paper clips, highlighters, glue or correction fluid.
DO NOT WRITE IN ANY BARCODES.

Section A
Answer all questions in this section (A1, A2 and A3).

Section B
Answer one question in this section (B4 or B5).
You may use a calculator.

Draw your answers in the spaces provided on the answer sheets.
All construction and projection lines must be clearly shown.
All dimensions are in millimetres.

At the end of the examination, insert both sheets into this booklet. Do **not** punch holes in the cover and sheets or tie with string.
The total of the marks for this paper is 50.
The number of marks is given in brackets [] at the end of each question or part question.

This document consists of an A3 cover booklet and 2 inserted A3 sheets.

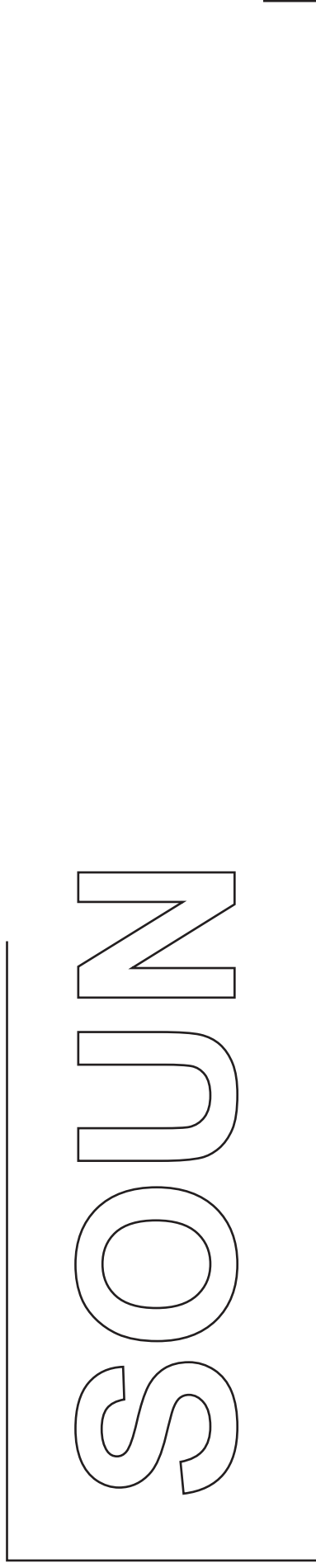
Section A

Answer **all** questions in this section.

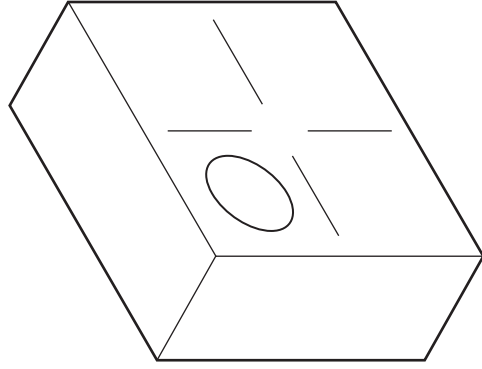
A1 A music shop called 'SOUNDS ON' uses card signage to attract customers.

Complete the sign board by:

- (a) adding the four remaining letters. All the letters must be the same height and style as those given; [6]
- (b) completing the 250×50 rectangular border; [1]
- (c) adding a semi-circle to the right-hand end of the rectangle. [2]



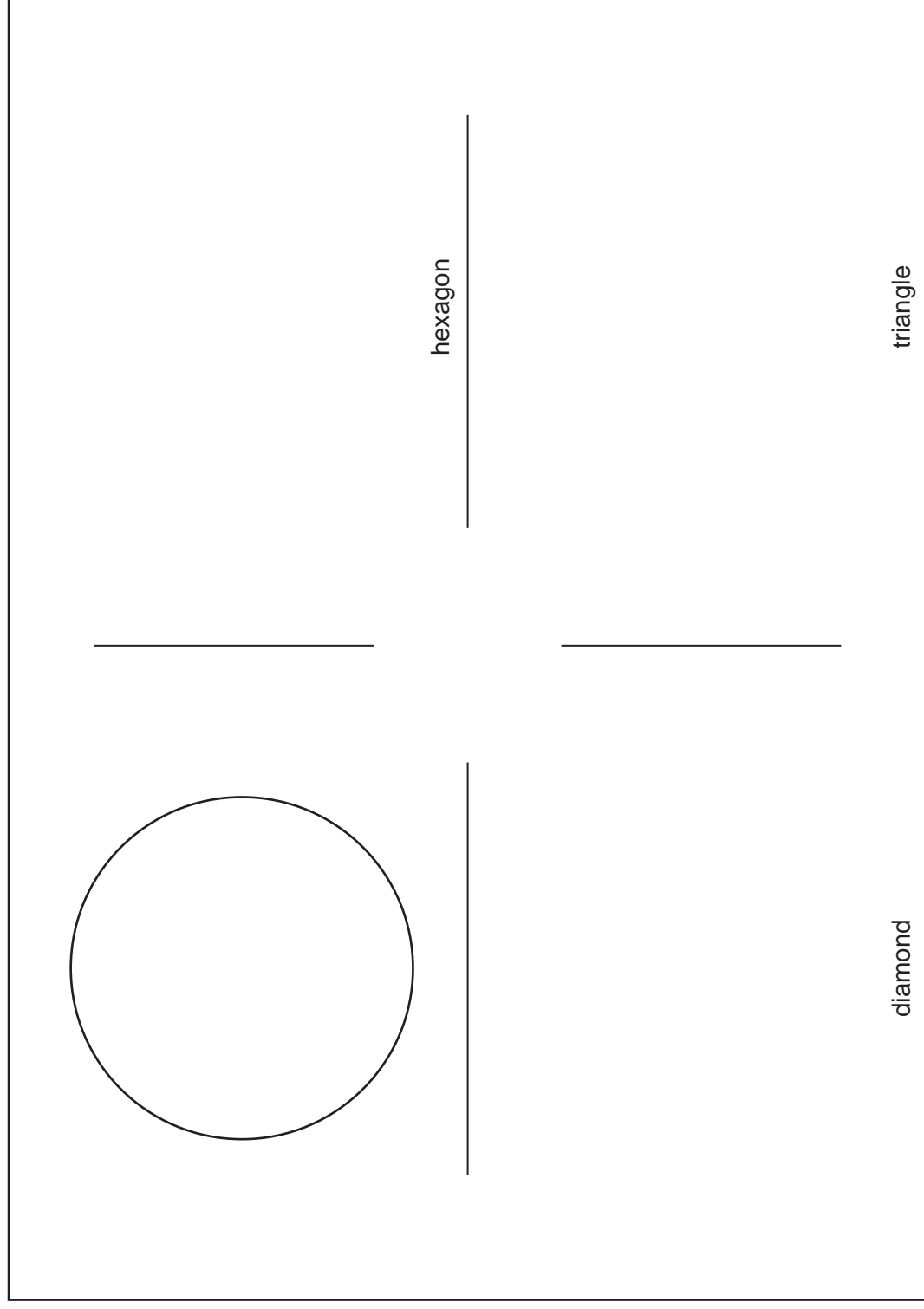
2 A 'Disco Light Box' is to have four separate holes for flashing lights. Only the circular hole has been drawn and cut out so far.



Draw, on the full size front face of the disco light box, in the remaining three spaces:

- a regular hexagonal hole 30 side;
- a diamond hole 50×60 diagonals;
- an equilateral sided triangular hole 50 side. [6]

Full size front face of disco light box



diamond

hexagon

triangle

0445/02 May/June 2008 **1 hour**
© UCLES 2008

Centre Number

Candidate's Number

Candidate's Surname Other Names [Turn over]

For
Examiner's
use

A3 Fig. 1 shows a Mobile Phone display stand made by gluing card component parts to a foamboard panel.

Fig. 2 shows the rear of the stand with a simple fold out card strut used to stop the display stand from falling over.

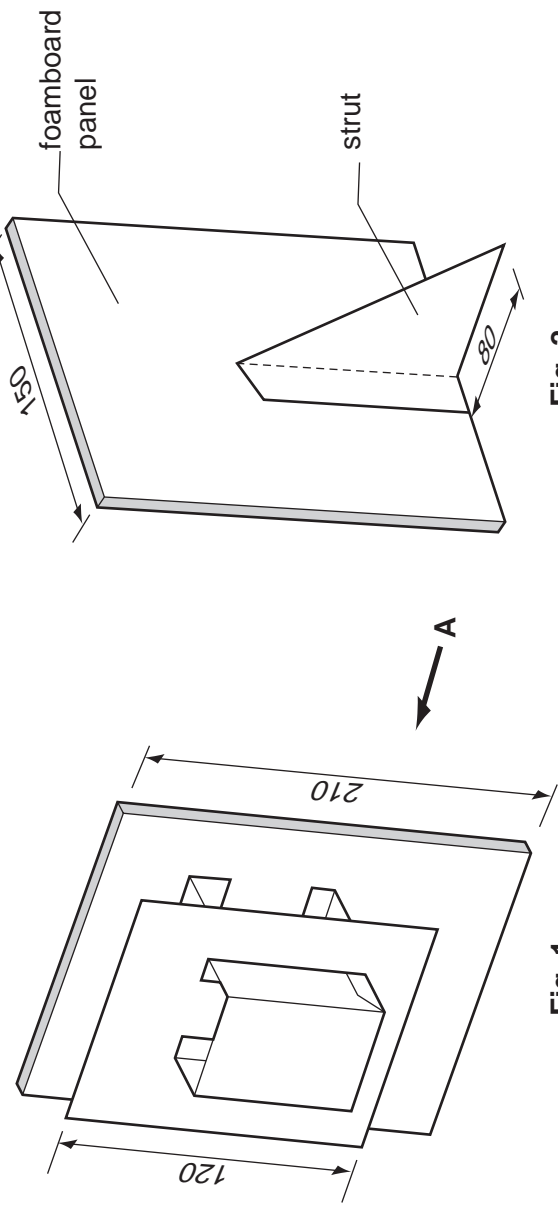


Fig. 1

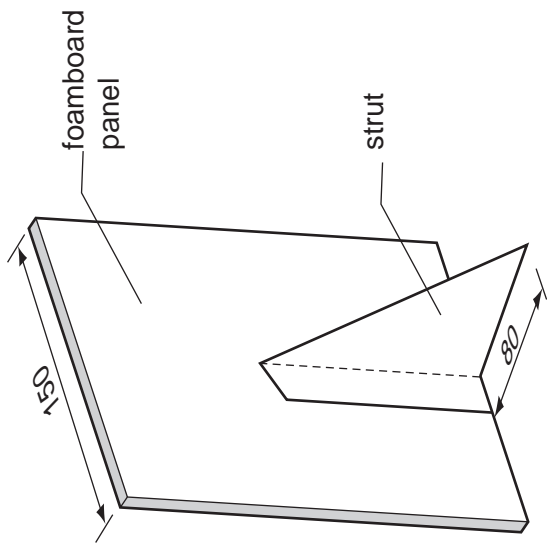
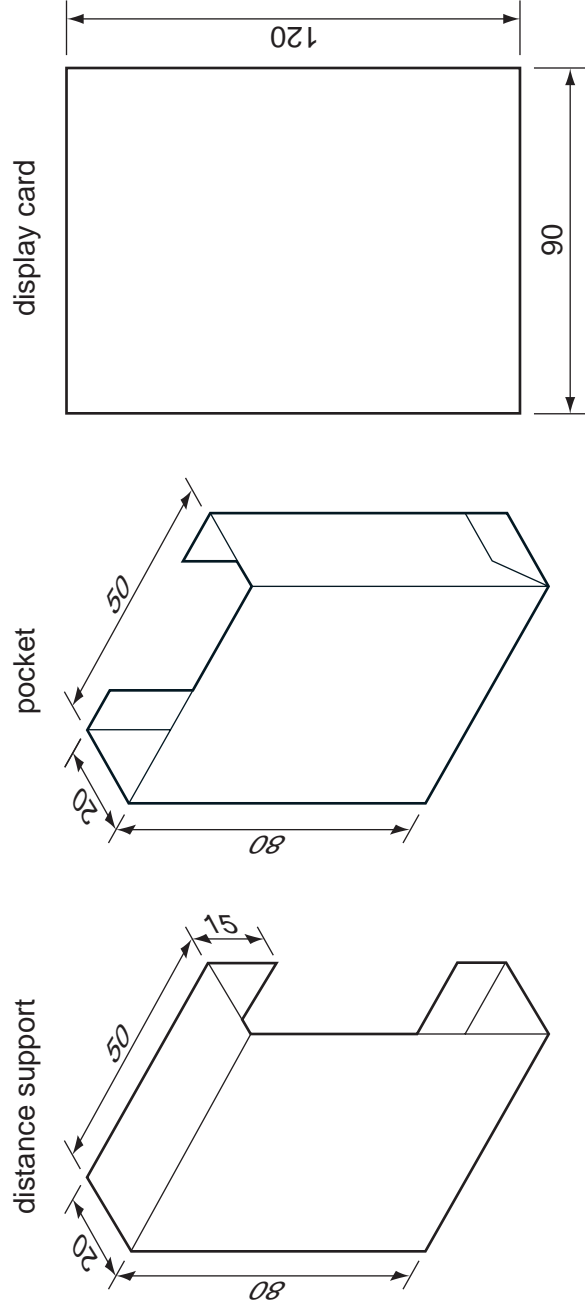


Fig. 2

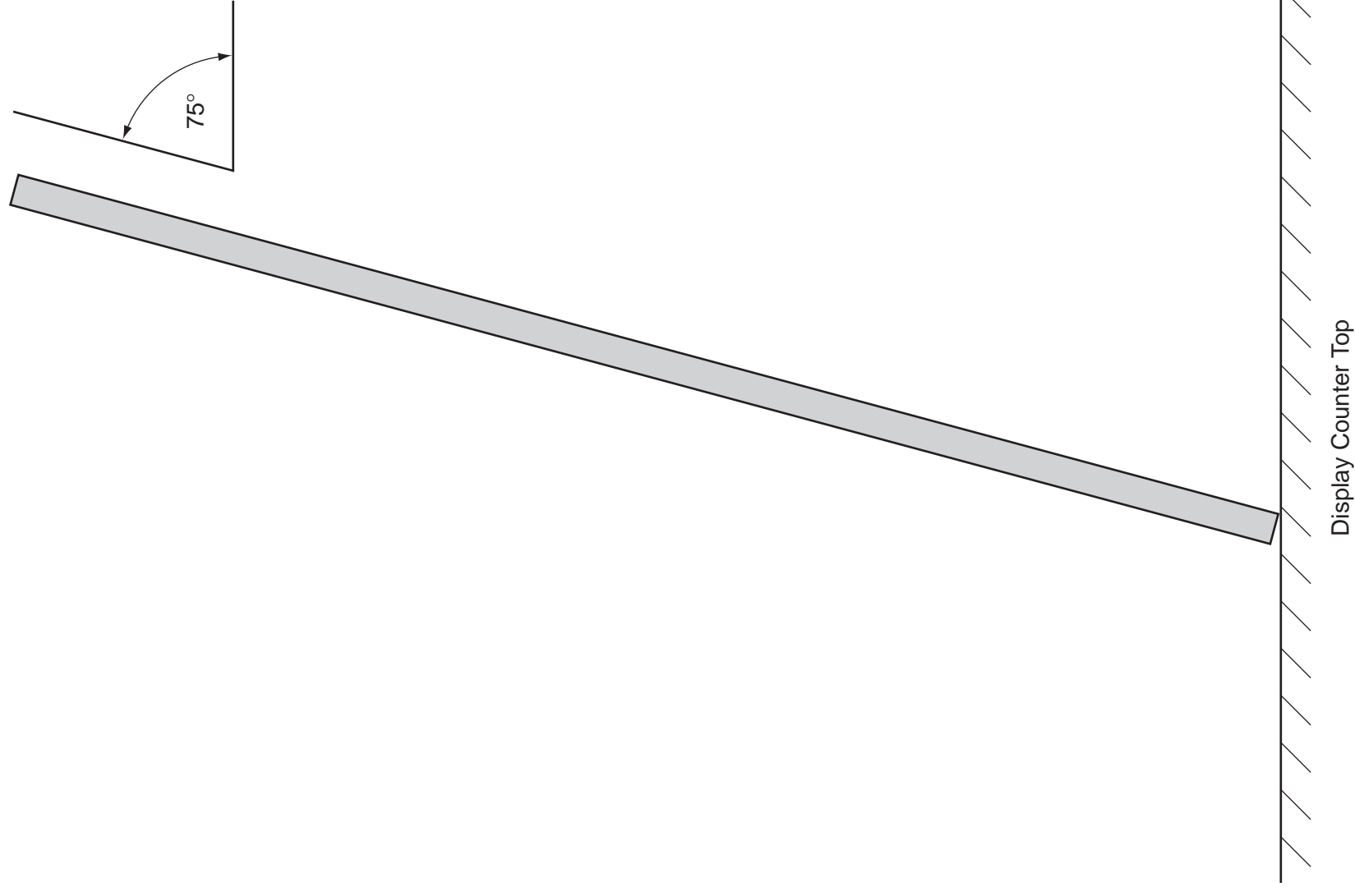
The components of the display stand made from card are shown below.



Complete the side view of the display stand viewed from **A**, by adding:

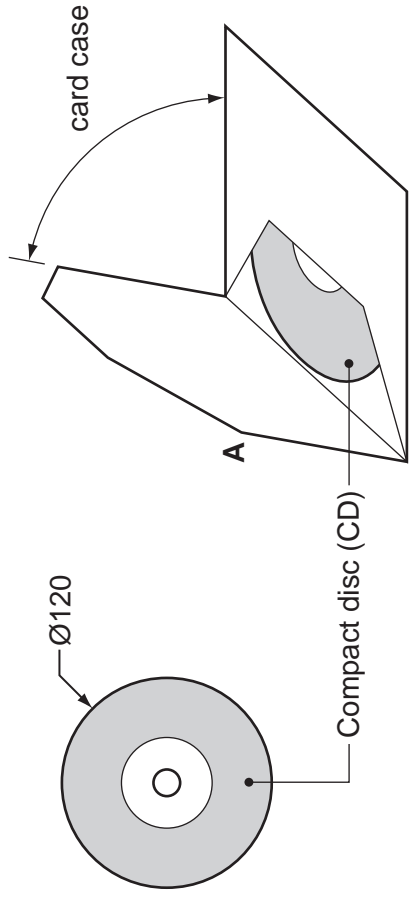
- (a) the distance support; [2]
- (b) the display card centrally placed; [3]
- (c) the mobile phone pocket; [2]
- (d) an additional piece of card to prevent the distance support from folding flat against the foamboard panel; [2]
- (e) the strut in the folded out position. [1]

Side View from **A**



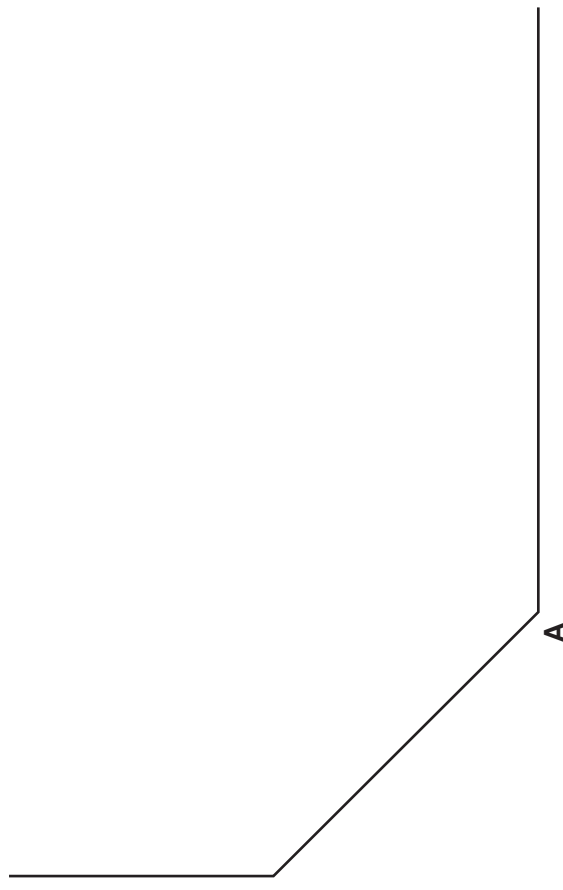
Section B
Answer either question B4 or B5.

B4 A design for a card case to hold a compact disc (CD) 120 mm in diameter is shown below. The case is to be made from a single piece of card. The CD fits tightly into the case. The case has a half regular hexagonal cut-out to access the CD and a half regular octagonal lid.



(a) Draw full size, a development (net) of the CD case. [20]

The position of corner **A** is shown.
Show clearly all folded lines as _____
Use your judgement for the sizes and positions of glue tabs.



(b) It has been found that the CDs can fall out of the cases.
Sketch a modification that will keep the lid closed without using adhesive. [5]

0445/02 May/June 2008 1 hour
© UCLES 2008

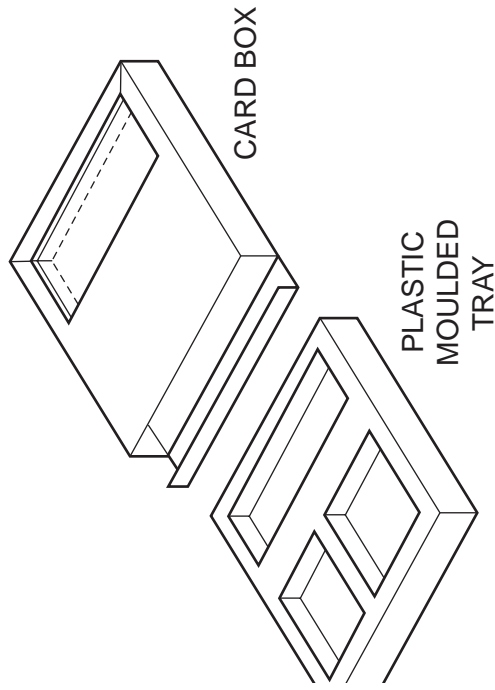
Centre Number

Candidate's Number

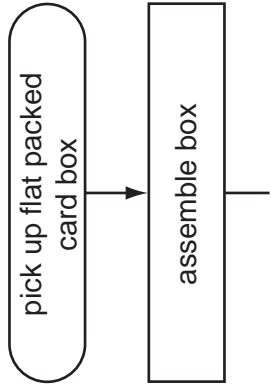
Other Names

[Turn over]

B5 A manufacturer packs MP3 players for sale in a music shop. A sketch of the packaging used is shown below.



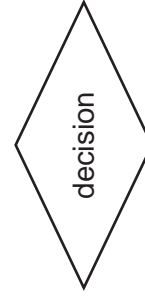
Flow chart for packing



The stages in packing the MP3 players are shown in an incorrect order below.

- Check box opens and closes.
- Check all items are correct.
- Pick up plastic moulded tray.
- Assemble box.
- Fill tray with correct items.
- Pick up flat packed card box.
- Close box.
- Insert tray into box.

(a) Complete the flow chart to the right showing the stages in the correct order and using the appropriate symbols. [16]



(b) The plastic moulded tray is vacuum formed. State why the sides of the tray would be at a slight angle.
..... [1]

(c) The MP3 player is sold worldwide. The customers speak many different languages. In the spaces below, draw pictograms to give the following information:

(i) The battery must not be charged for more than 10 hrs. [4]

(ii) The battery must not be disposed of by burning. [4]

Answer **(i)** here

Answer **(ii)** here